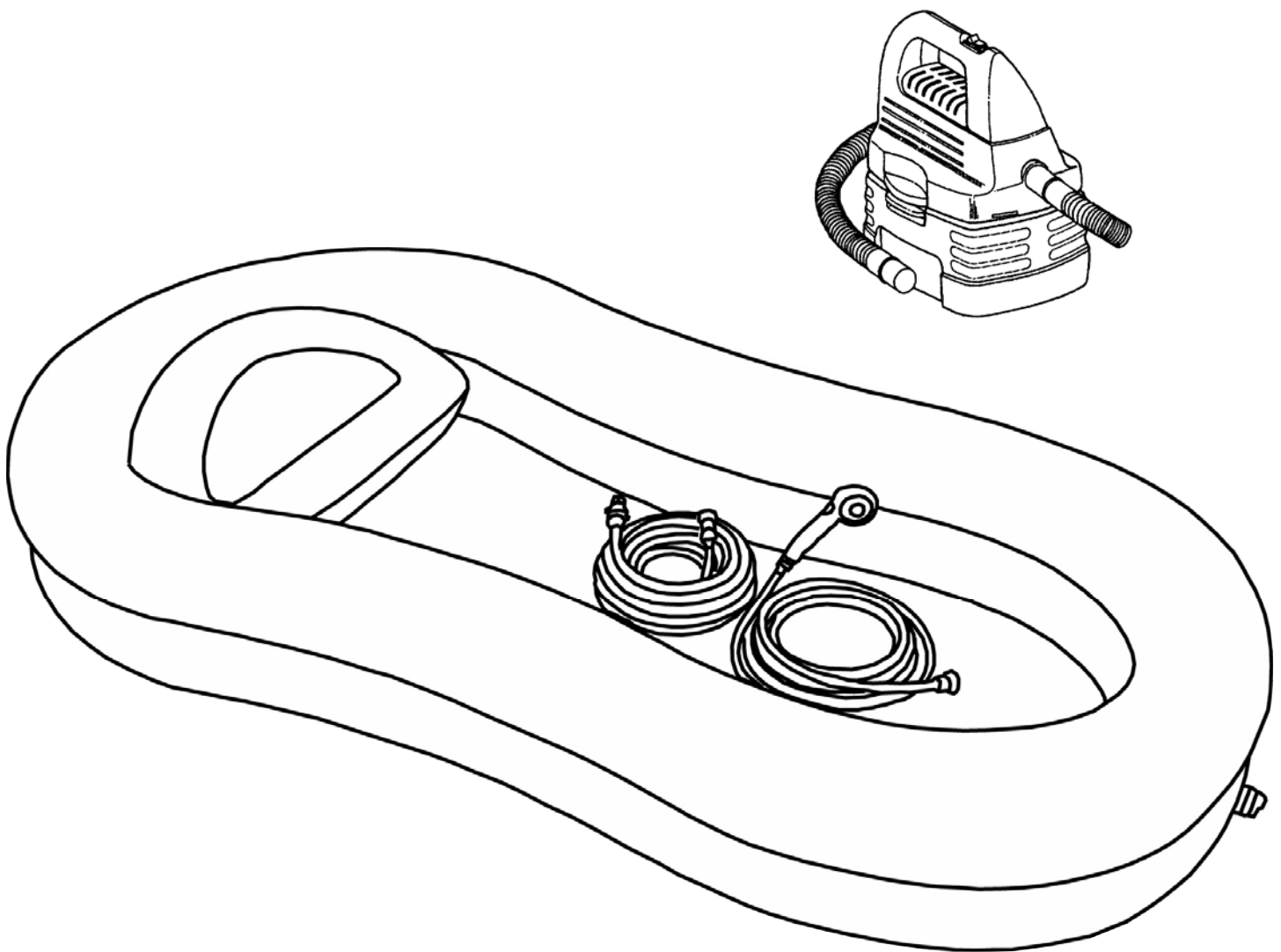
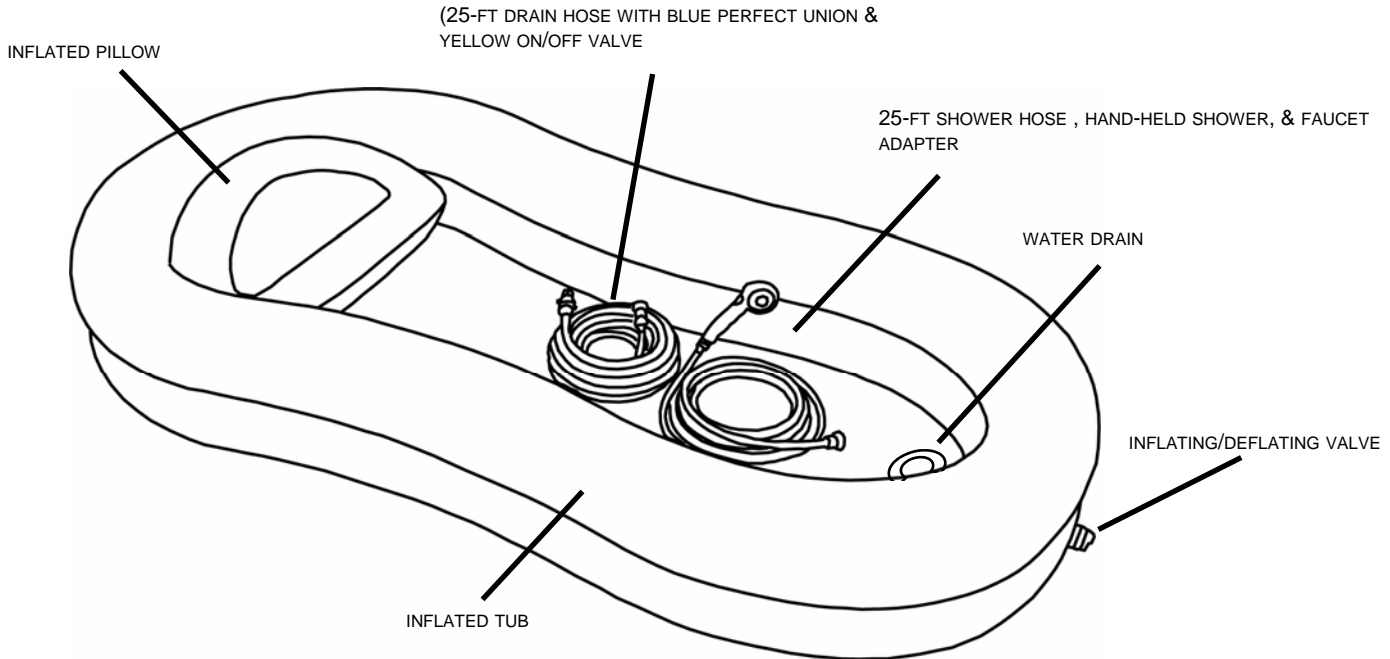
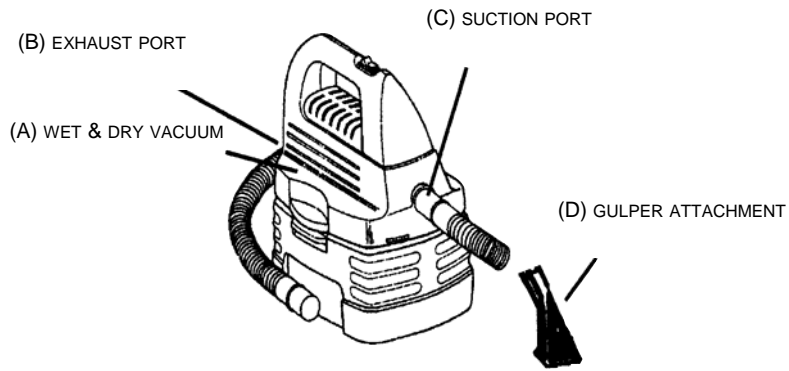


Information and Instructions for the

EZ-BATHE[®]

LATEX FREE





INTRODUCTION

The EZ-BATHE® inflatable tub is easy to use. Like any new purchase, "practice makes perfect" so it is suggested that **you familiarize yourself with all of the components and read this instruction sheet in its entirety before use.**

Although designed to fit hospital beds, the EZ-BATHE inflatable tub can be used on any bed.

BEFORE YOU BEGIN

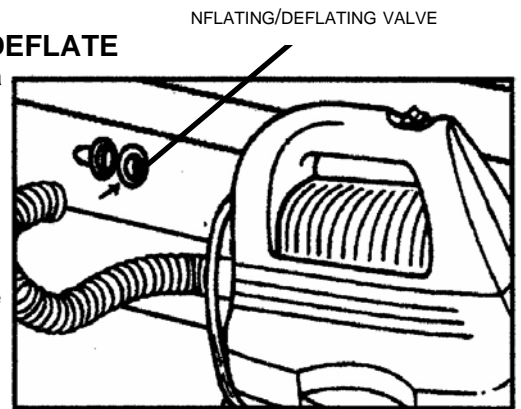
The illustration above is your guide. Please refer to it and familiarize yourself with the various parts. **We suggest that you practice inflating/deflating the tub & pillow and setting up the attachments before attempting the actual bathing of your patient.**

CAUTION: Be sure that drain hose is connected before attempting to fill EZ-BATHE with water.

HOW TO INFLATE & DEFLATE

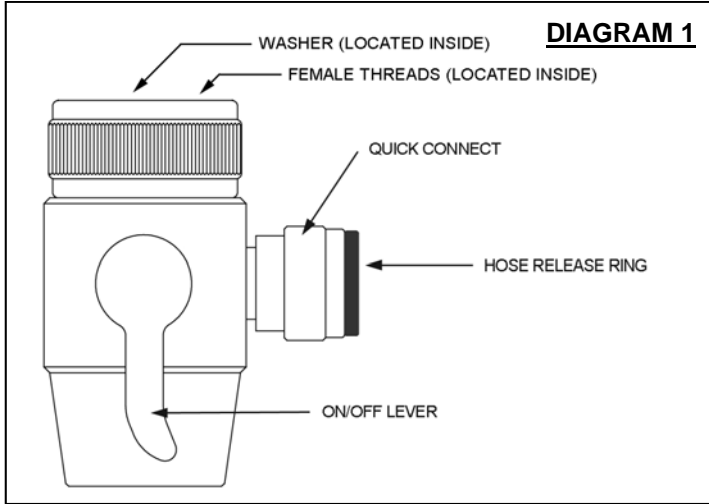
The wet/dry vacuum has a threefold purpose:

1. Inflates the tub & pillow using the EXHAUST PORT with the end of the hose. The end of the hose is slightly larger to assist in avoiding over-inflation of the tub (which may cause seams to split, making the EZ-BATHE unusable). **NOTE:** The vacuum hose does not go inside the INFLATING/DEFLATING VALVE. Simply hold the end of the hose over valve while inflating/deflating your EZ-BATHE (see illustration). Hose should be held snug against tub while squeezing the valve to allow airflow. **Fill with air until tub is firm but do not over-inflate.**
2. Deflates the tub & pillow in the same manner as inflating, using the opposite SUCTION PORT.
3. Vacuums up surplus water and debris using the SUCTION PORT and GULPER ATTACHMENT.



NOTE: Vacuum style and brand may vary.

FAUCET ADAPTER: The FAUCET ADAPTER allows you to attach the HAND-HELD SHOWER to most faucets. Once the adapter is secured to the faucet, it is a simple procedure to connect or disconnect the shower hose.



INSTALLING THE FAUCET ADAPTER Remove the existing aerator from your faucet and determine whether the threads are male or female.

1. If your aerator has threads on the outside you will need to use one of the male thread adapters (found in enclosed hardware bag).
 - a. Match the thread diameter of your aerator to one of the male thread adapters. (The thread size on the FAUCET ADAPTER is 15/16-27 female and the enclosed male thread adapters are sizes 55/64-27 and 13/16-27. If neither male adapter fits your faucet, check your local hardware store for additional sizes.)
 - b. Screw the correct size male adapter into the top of the FAUCET ADAPTER. Place the correct size black washer (located in hardware bag) on the male adapter before screwing onto faucet. Hand tight is usually sufficient but pliers are sometimes needed.
 - c. If your aerator has female (inside) threads, screw the faucet adapter onto your faucet just as you received it.
2. After attaching FAUCET ADAPTER, turn the water on and check for leaks. **NOTE:** The HAND-HELD SHOWER HEAD contains a safety feature that, even in the "OFF" position, may enable it to dribble a small amount of water.
 - a. **IMPORTANT:** Make sure the ON/OFF LEVER is in the down ("OFF") position before turning on the water. If water leaks from the top of the faucet adapter you will need to add an additional washer (located in enclosed hardware bag).

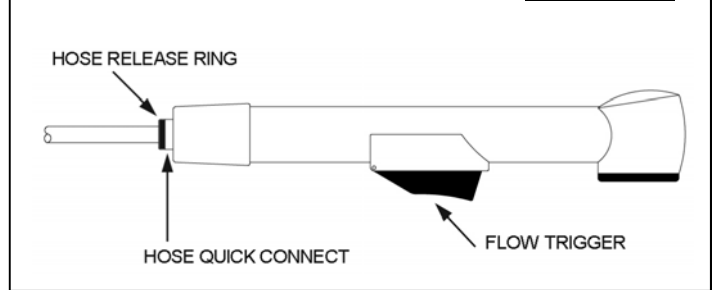
ATTACHING HOSE TO QUICK CONNECT: To make installation quick and easy (and to eliminate the use of tools), PUSH-IN HOSE FITTINGS are located on the HAND-HELD SHOWER and on the FAUCET ADAPTER.

1. Determine correct hose length needed.
 - a. The hose can be cut to any length that is most convenient for your use. **IMPORTANT:** Cut hose as squarely as possible.
2. Insert one end of SHOWER HOSE into PUSH-IN HOSE FITTING located on the FAUCET ADAPTER by simply pushing the end of the hose past the HOSE RELEASE RING and into the QUICK CONNECT HOSE FITTING (see diagram above). Push and hold the HOSE RELEASE RING until friction is felt as the tube slides past the o-ring. **NOTE:** Using a slight twisting motion while inserting the tube is often helpful.
3. Insert remaining end of SHOWER HOSE into HOSE QUICK CONNECT located on the HAND-HELD SHOWER.

REMOVING HOSE FROM PUSH-IN FITTING:

1. Before removing hose, depressurize the unit by turning off water (either at faucet or using ON/OFF LEVER on FAUCET ADAPTER), then depress FLOW TRIGGER on HAND-HELD SHOWER.
2. To remove the hose, push and hold the HOSE RELEASE RING against the face of the QUICK CONNECT HOSE FITTING (OF HAND-HELD SHOWER) while pulling the HOSE out.

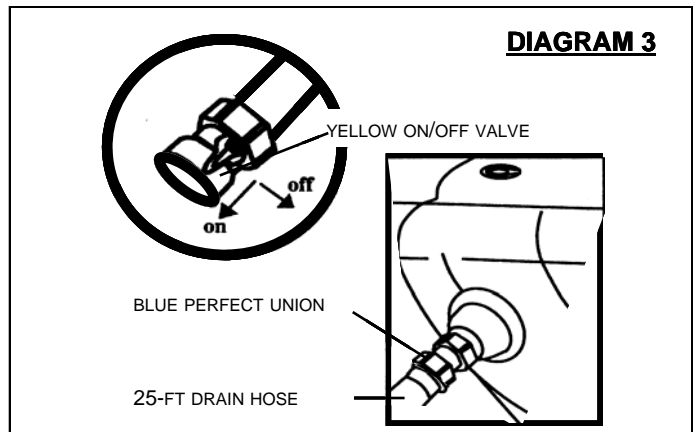
DIAGRAM 2



OPENING THE TUB DRAIN: The TUB DRAIN has two closures and both need to be removed in order to install the drain hose. The large outer closure simply unscrews. Gently pry out the smaller, inside closure. Once both closures are removed, insert your index finger inside the TUB DRAIN and extend drain opening out, creating a cone shaped drain valve. **NOTE:** This step prepares the drain for the siphoning effect needed for efficient draining. If not completed, poor draining will occur.

IMPORTANT: The DRAIN HOSE must be attached to the TUB DRAIN before filling the tub with water.

DRAIN HOSE ATTACHMENT: The DRAIN HOSE is connected to the TUB DRAIN on the outside of the tub by attaching the BLUE PERFECT UNION to the TUB DRAIN. (This can be done by simultaneously pushing up and slightly twisting the male (non-threaded) end before attaching connector ring). **NOTE:** The YELLOW ON/OFF VALVE is used for water control. Turn valve to "ON" for consistent draining or to "OFF" to stop drain flow. If a longer drain hose is needed, a standard garden hose may be attached for additional length.



DRAIN FUNCTION: The EZ-BATHE draining system uses a gravity fed method. In order to achieve the most efficient draining, the tub must be higher than the object you are draining into. Otherwise, improper drainage may occur.

DRAINING THE EZ-BATHE: With the DRAIN HOSE attached to the TUB DRAIN on the inflated tub, run the end of DRAIN HOSE to bathtub, shower, or toilet and turn YELLOW ON/OFF VALVE to ON position for draining (refer to section on "DRAIN FUNCTION" for additional information in this area). If tub is not draining fast enough, check to be sure that the DRAIN HOSE has no kinks or large drooping curves. Draining works best if the DRAIN HOSE slopes at a consistent level to the draining area. Raising the head of the bed a few inches may also improve drainage. Once tub is completely drained, the SUCTION PORT and GULPER ATTACHMENT can be used to vacuum any soapy water that may remain. Rinse, drain, and towel dry the EZ-BATHE before storing.

OPTIONAL PUMP USAGE: If required, a water pump may be used to increase the flow of water through the drain hose. Connect the pump to the YELLOW ON/OFF VALVE. Any type of water pump having a standard garden hose connection may be used. **NOTE:** This item is not available through Homecare Products, Inc., however, most home & garden stores carry suitable pumps.

IMPORTANT BATHING HINTS

- **CAUTION:** EZ-BATHE is best used as a lay-down shower. If you choose to use the product as a soaking tub, please be aware of the inherent risks. Like any inflatable product, there is risk of unexpected deflation and water spillage may occur. Homecare Products, Inc. cannot be responsible for any property damage as a result.
- Do not leave patient unattended while using the EZ-BATHE.
- For the benefit of the patient's comfort, it is helpful to have a clean linen or large towel available to place on him/her to keep warm while the unit drains excess water.
- The (F) INFLATABLE PILLOW, when inflated to its maximum capacity, may be too high to support the patients head and shoulders comfortably. Deflate as needed using the valve on pillow.
- As the patient will be thoroughly cleansed and dried after using the EZ-BATHE, it is suggested that fresh linen be placed on the bed before the bath is started.
- The inflatable tub should be at room temperature *before* placing it under the patient.
- **CAUTION:** Do **NOT** use electrical appliances in or around the EZ-BATHE while patient is in tub and wet.

STORAGE AND CLEANING

- The EZ-BATHE inflatable tub and pillow are easily cleansed and stored. Before removing patient from the tub, quickly wipe-up any surplus dampness with a towel. When the tub is removed from the bed, it is recommended that it be allowed to air dry and be cleansed further if necessary.
- Any good household cleaner/disinfectant can be used to cleanse the inflatable tub and pillow. Although the vinyl material contains an antimicrobial agent to help prevent the growth of bacteria and mildew, you can further sanitize your tub and pillow with a disinfectant spray such as Lysol®.
- Please contact your dealer if you have any questions regarding the use of your EZ-BATHE. **NOTE:** A patch kit has been included in case of accidental puncture of the tub or pillow.

EZ-BATHE® Inflatable Bath Tub is a trademark of Homecare Products, Inc.
 Patent No. US D498,828 S
 © 2006 Homecare Products, Inc. All rights reserved.
 6413 REV 05-23-06

1. EZ-ACCESS, a division of Homecare Products, Inc., herein referred to as Manufacturer, warrants that the equipment is free from defects in material and workmanship under normal use and service. The provisions of this warranty shall not apply to any equipment which has been subject to misuse, negligence, alteration, accident, or improper installation, or which has been repaired outside Manufacturer's place of business in any way as, in the reasonable judgment of Manufacturer to adversely affect its performance and reliability, nor to normal deterioration due to wear and exposure.
2. Manufacturer's obligation under this warranty is limited to repairing or replacing, at its option, any equipment which is returned to Manufacturer's place of business with return authorization number (SEE #4 FOR DETAILS) and which, upon examination, shall disclose to Manufacturer reasonable satisfaction to have been thus defective. Manufacturer will make the repair or replacement of defective parts under this warranty without charge for parts or labor. This excludes shipping or delivery charges to or from Manufacturer's place of business.
3. Warranty is effective for the period of 1-year from the date of original retail purchase (**original dated purchase receipt** is required).
4. The attached registration card must be mailed within ten (10) days after purchase. If Purchaser discovers a defect, he/she must call manufacturer at 253-249-1101 to request an RA# and detailed instructions to return (at his/her own expense) the merchandise to Manufacturer.
5. The duration of any implied warranty of merchantability or fitness for a particular purpose shall be limited in all respects to the duration of the limited warranty and the warranty described above shall be in lieu of any other express warranty. Some states do not allow limitation on how long an implied warranty will last so the above limitation may not apply to you. Manufacturer neither assumes nor authorizes any other person to assume for it any other liability in connection with Manufacturer.
6. The buyer's sole and exclusive remedy against the Manufacturer shall be for the repair or replacement of defective merchandise as provided above. No other remedy, including but not limited to, incidental or consequential damages for lost profits, lost sales, injury to property, or any other incidental or consequential loss shall be available to him/her. Because some states do not allow the exclusion or limitation of incidental or consequential damages, the above limitation or exclusion may not apply to you. Before using, user shall determine the suitability of the product for its intended use and user assumes all risk and liability whatsoever in connection therewith.
7. This warranty gives you specific legal rights. You may also have other rights that vary from state-to-state.



WARRANTY REGISTRATION

HOMEWARE PRODUCTS, INC. • 1704 B ST NW STE 110 • AUBURN WA 98001-1650

Type EZ-BATHE® WITH ACCESSORIES	Model B1000
Name	Phone
Address	City, State, Zip
Name of Dealer	Dealer's City, State, Zip
Use	
What influenced your purchase of this product?	
<input type="checkbox"/> Recommendation of friend <input type="checkbox"/> Dealer Recommendation <input type="checkbox"/> Advertising <input type="checkbox"/> Product review in magazine	
<input type="checkbox"/> Other (please explain)	

Warranty is not valid unless postmarked within 10 days of purchase.